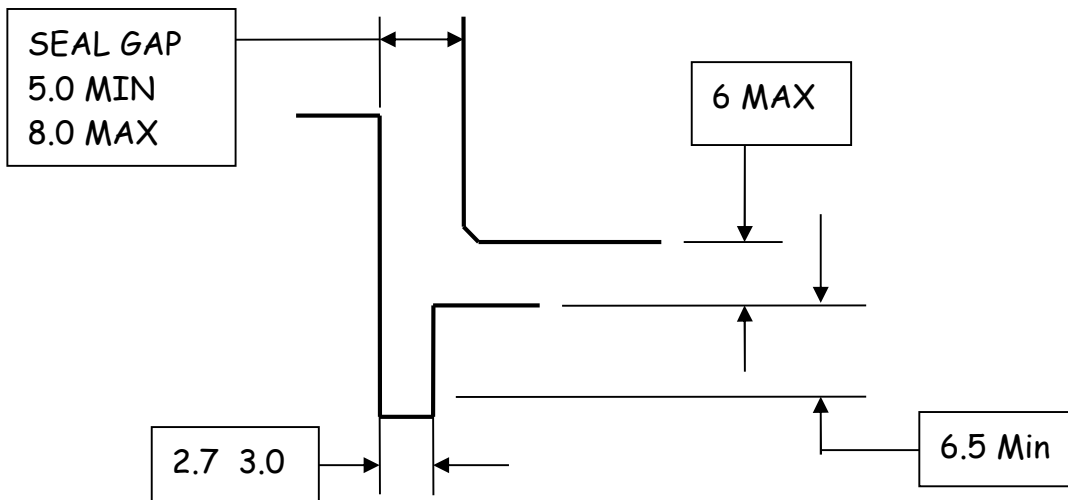
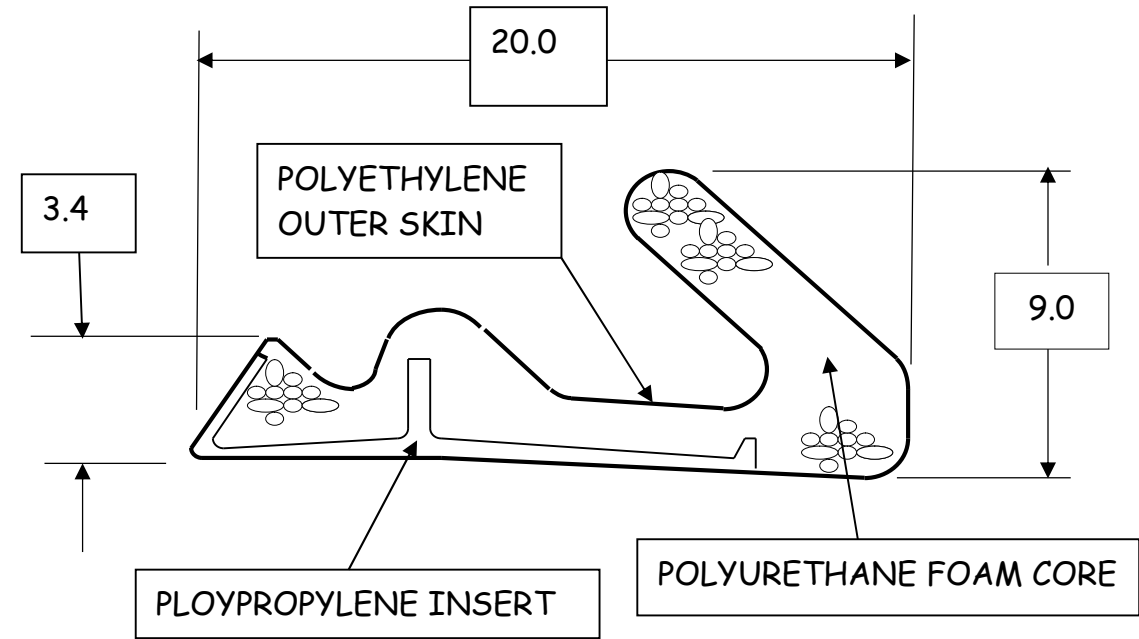




TECHFOAM 1390



KERF SLOT AND TYPICAL APPLICATION DETAIL

| PACKAGING DETAILS | | | | |
|-------------------|-----------------|--------------------------------|--|----------------|
| COIL QTY | BOX wt | BOX SIZE mm | COIL SIZE mm | BOXES / PALLET |
| 125m | 9Kg (2 x coils) | 410 wide x 790 high x 765 deep | 190 wide, 762 outer dia, 533 inner dia | 6 |



TECHFOAM

Weatherseals for Windows & Doors

| PACKAGING DETAILS. | | | | | | |
|--------------------|--|--------------------|--------------------------|--------------------------------------|---------------|----------------|
| PROFILE | | COIL Qty m | Box wt Kg (2 x coils) | Box Size | Coil Size | Boxes / Pallet |
| TECHFOAM 6565 | | 250 | 13 | 410 width | 190 width | 6 |
| TECHFOAM 8038 | | 250 | 12 | | X | |
| TECHFOAM 1165 | | 250 | 14 | 790 height | 762 outer dia | |
| TECHFOAM 1110 | | 250 | 14 | | X | |
| TECHFOAM 1390 | | 125 | 9 | 765 depth | 533 inner dia | |
| TECHFOAM 5075 | | 300 | 12 | | | |
| TECHFOAM 5065 | | 450 | 12 | | | |
| TECHFOAM 5050 | | 610 | 12 | | | |
| TECHFOAM 1519 | | 100 x 2.1m lengths | 10 (100 lengths) | Box width 286 x 133 deep x 2275 long | | |

| CLASSIFICATION & PERFORMANCE | | |
|------------------------------|--|---|
| PROFILE | | BS EN 123565 CLASSIFICATION (See notes below) |
| TECHFOAM 6565 | | W 2 5 5 6 0 |
| TECHFOAM 8038 | | W 1 5 5 6 0 |
| TECHFOAM 1165 | | W 2 6 5 6 0 |
| TECHFOAM 1110 | | W 3 3 5 6 0 |
| TECHFOAM 1390 | | W 3 3 5 6 0 |
| TECHFOAM 5075 | | t.b.a. |
| TECHFOAM 5065 | | W 2 6 5 6 0 |
| TECHFOAM 5050 | | W 1 5 5 6 0 |
| TECHFOAM 1519 | | W 7 2 5 6 0. |

Notes.

- **TECHFOAM** will perform beyond the "working range" grades set out in BS EN 12365. (5th digit of classification). Contact Sealing and Hardware Solutions for advice if you find BS EN12365 too limiting for your application.
- BS EN 123565 Part 4 test method (recovery after accelerated ageing) cannot be applied to FOAMTECH materials hence the "0" last digit in each classification. **TECHFOAM** recovery after accelerated ageing is typically > 85%

KEY PERFORMANCES.

Temperature Range. -40°C to +70°C.
 Compression Set. < 15%.
 Uv Stability. 5000 hrs QUV tester. UVB 313 bulb. (4hrs light 4hrs dark cycle)
 Paint and Stain Resistance. Not affected by spirit based paints.

MATERIALS.

Outer skin. Polyethylene. (Properties include: inert, low friction, Uv stable, colour options)
 Foam Core. Polyurethane. (Properties include: excellent memory over extended temp range)
 Inserts. Polypropylene (Properties include: longitudinal stability and secure fixing)

CONTACT US.

Tel. +44 (0)1462 429708.
 Email. sales@shslimited.com