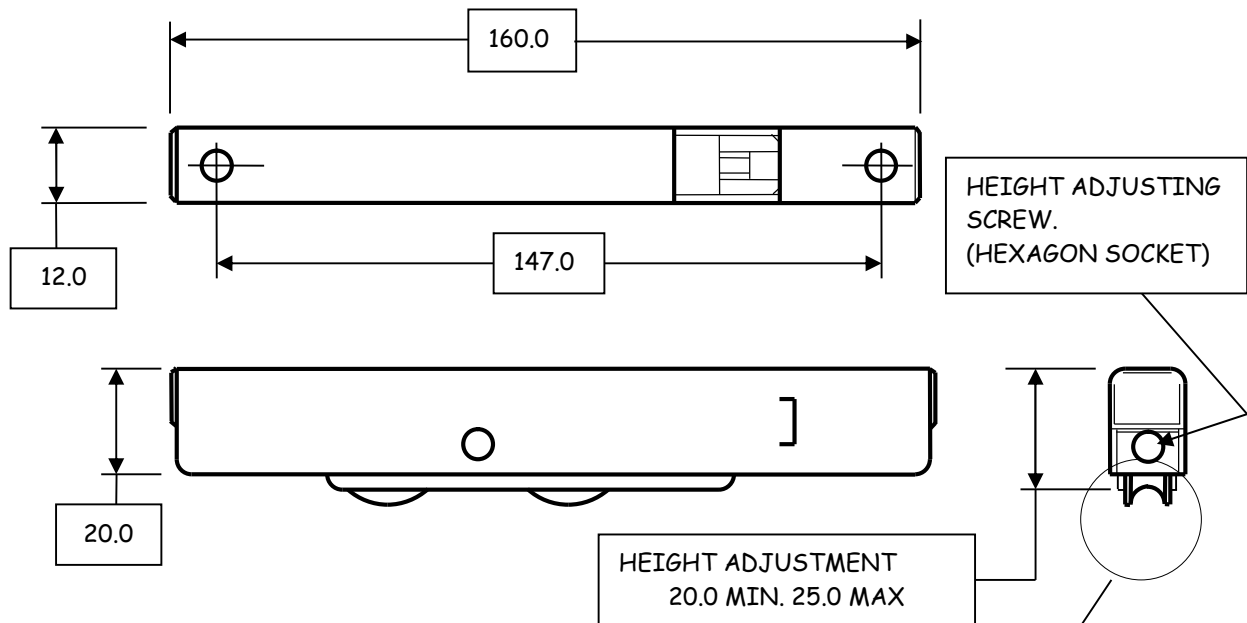


SLIM-LINE PATIO DOOR ROLLERS

The S.H.S. Slim-Line Roller range is intended for use in horizontally sliding external doors, windows and wardrobe systems. The product is designed to fit into a "eurogroove" and offers options on track radius and wheel material. All versions are height adjustable with two fixing screw positions and a self aligning carriage to evenly distribute the leaf weight.



SPECIFICATIONS. & FEATURES.

- MAX LEAF WT 60Kg / ROLLER (TOTAL LEAF WT 120Kg)
- POLYMER, PLATED STEEL OR STAINLESS STEEL WHEELS.
- BODY COMPONENT PLATED STEEL OR STAINLESS STEEL.
- WHEEL PROFILES FOR 4.0 5.0 AND 6.0 DIAMETER TRACK.

PACKAGING.

60 ROLLERS / BOX. Box wt 8.5 Kg.